



**INFINITI**

## GENUINE PARTS

### INSTALLATION INSTRUCTIONS

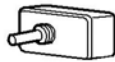
1. **DESCRIPTION:** Accent light Kit
2. **APPLICATION:** QX60
3. **PART NUMBER:** 999F3 YY000 - Universal Accent Lighting Kit.

#### 4. KIT CONTENTS:

Item	QTY	Description	Service Part Number
A	1	Control module	999F3 AW004
B	1	Encoder and harness assembly	999F3 AW060
C	1	Foot well lights and harness assembly	999F3 AW001
D	1	Harness Vehicle interface	999F3 AW050
E	1	Control Knob	999F3 AW002
F		Kit contents in back of Installation Instructions	999F3 AW070



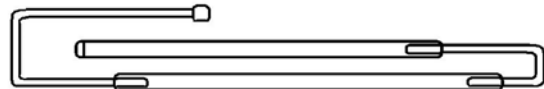
**A**



**B**



**E**



**C**

#### 5. TOOLS REQUIRED

- Trim stick
- 8mm, 10mm and 11mm sockets
- #2 Phillips screwdriver
- Protective cloth
- Needle nose pliers
- Right-angle Head Drill Motor
- Ratchet and 6" extension
- 5/16", 3/16" and 9/32" drill bits, drill, drill stops.
- T-20 Torx bit
- Scissors
- Electrical tape, masking tape.

#### 6. PRE-INSTALLATION CAUTION/NOTES

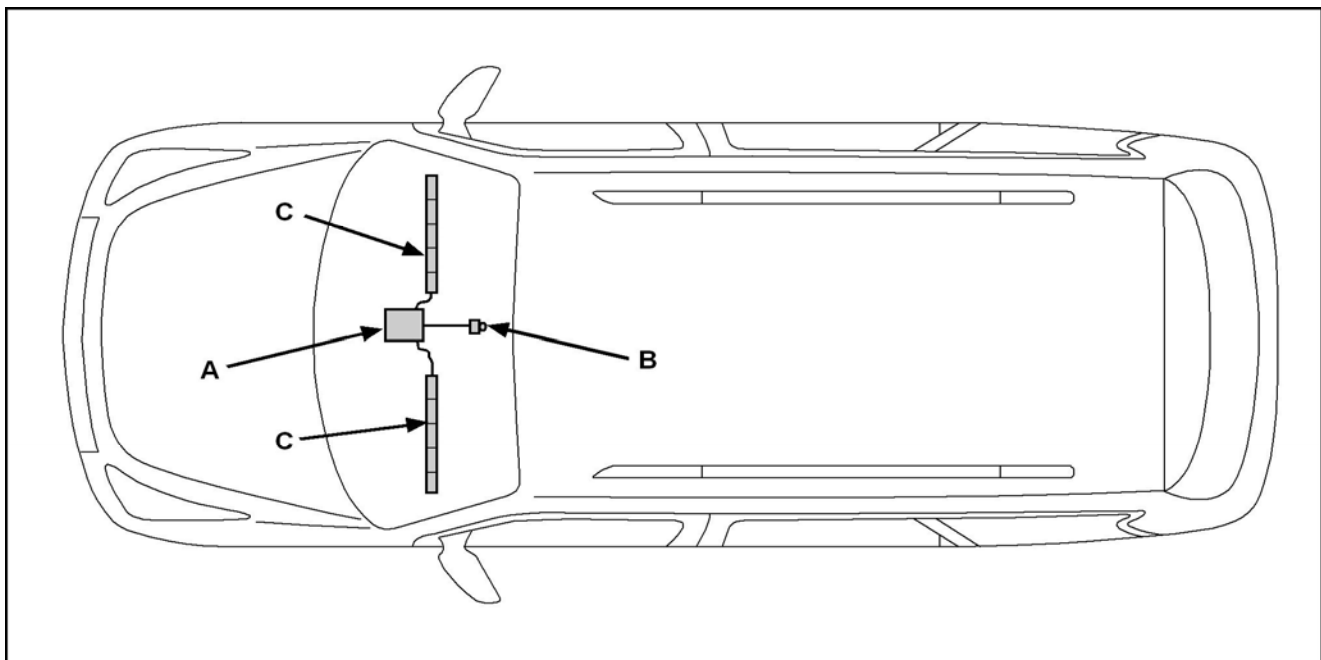
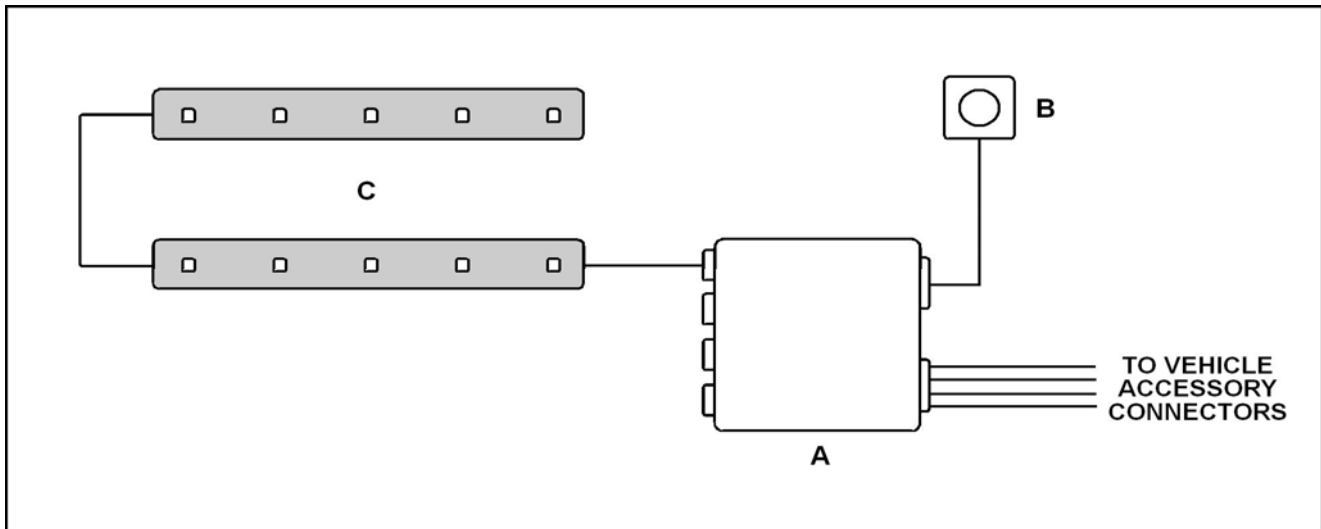
- Dealer installation recommended. Instructions may refer to Service Manual
- Installation may require special tools
- This part is to be installed within a surface temperature range of 65-100°F
- Remove and prepare templates located at the end of Installation Instructions

### CAUTION

- This accessory must only be installed as specified in these instructions.
- Ensure at all times that parts are securely fitted and will not compromise the safe function of vehicle systems.

# INSTALLATION INSTRUCTIONS - Accent lighting Kit

## 7. INSTALLATION OVERVIEW



## 8. CRITICAL STEPS

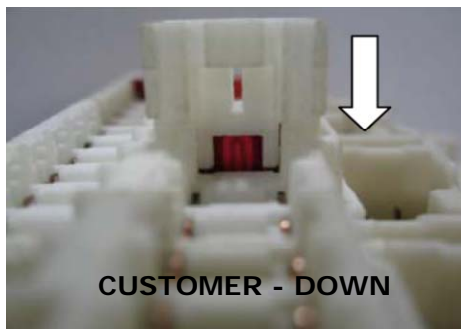
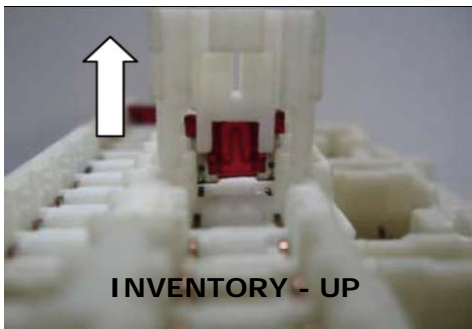
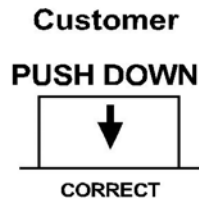
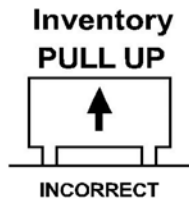
The following steps are critical and must be performed **EXACTLY** as specified to ensure proper installation:

- Location of the lights must be followed exactly as described in this instruction.
- Posi-Tap™ instructions must be specifically followed as described.

# INSTALLATION INSTRUCTIONS - Accent Lighting Kit

## 9. VEHICLE PREPARATION

- 1) Apply parking brake
- 2) Confirm the vehicle is no longer in the default shipping state (Extended Storage Switch Pulled Up and BCM in Transit Mode). Failure to confirm the vehicle has been removed from this state will result in the loss of normal vehicle operation. The confirmation requires two checks:
  - 2a) Locate the Extended Storage Switch in the cabin fuse block. Once located, check that it is in the "Customer" position. See below for reference.
  - 2b) Turn the ignition switch from "OFF" to "ON" position. If turn indicators illuminate for approx. 1 minute, the vehicle is in shipping mode. To exit shipping mode, return the ignition switch to "OFF" position. Simultaneously push the wiper and turn signal stalks downward and hold for 2 seconds.



NOTE: Typical vehicle condition shown here. Switch is easily identifiable by the permanent, push-pull fuse holder. Actual position on the fuse block may vary, vehicle to vehicle.

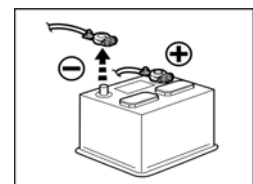
- 3) Record customer radio presets.

	1	2	3	4	5
A					
B					
C					

**NOTE: USE CAUTION WHEN REMOVING / RE-INSTALLING TRIM COMPONENTS TO AVOID DAMAGE, SCRATCHES, BREAKING OF CLIPS AND / OR INTERIOR TRIM PANELS. MOVE ALL TRIM COMPONENTS TO A PROTECTED AREA.**

## WARNING

**Turn ignition switch to "ACC" position and move shift lever to full back (L) position. Disconnect negative battery terminal before proceeding.**

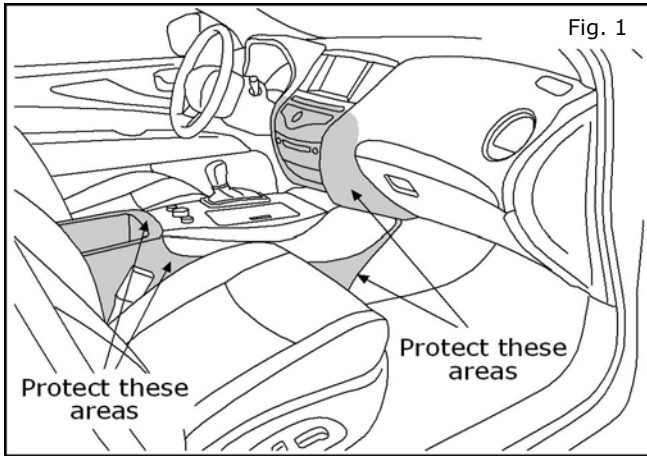


## 10. Order of Installation

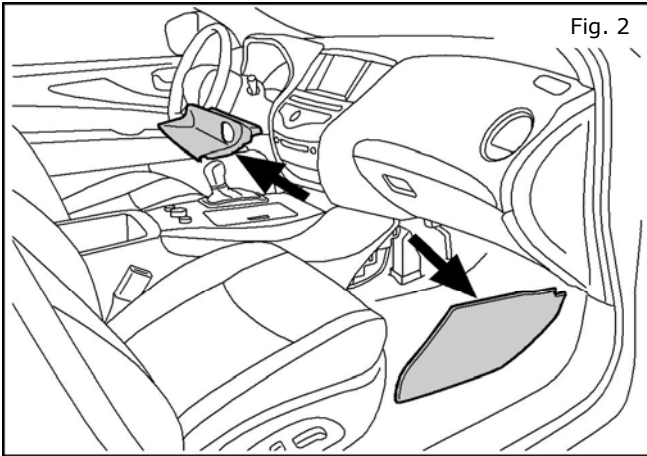
- a. Interior preparation - remove panels.
- b. Install - Encoder.
- c. Reinstall - center console panels.
- d. Install - Passenger Footwell light.
- e. Install - Vehicle interface.
- f. Install - Driver Footwell light.
- g. System check.
- h. Reinstall - Remaining Panels.

# INSTALLATION INSTRUCTIONS - Accent Lighting Kit

## 11. INTERIOR PREPARATION

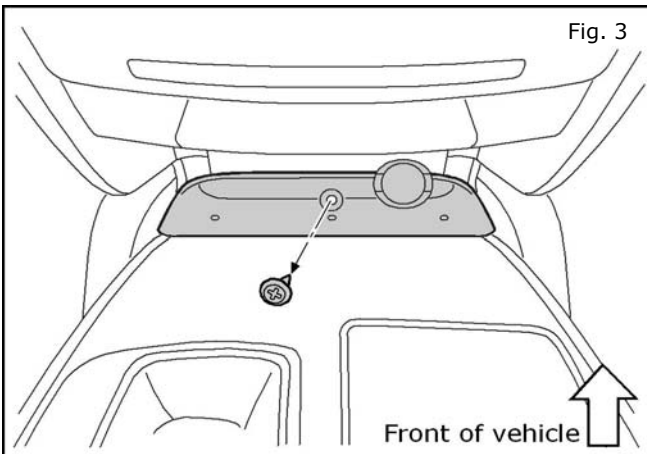
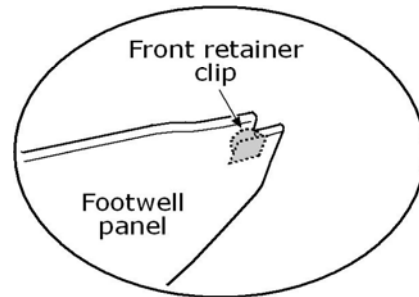


1. **CAUTION: BE SURE TO PREP INTERIOR SURFACES WITH PROTECTIVE CLOTH OR LOW TACK MASKING TAPE TO PREVENT ANY SCRATCHING OR BLEMISHES TO THE INTERIOR**



2. Carefully pry out center footwell panel from the passenger side of the center stack. Remove the rubber storage tray from center stack.

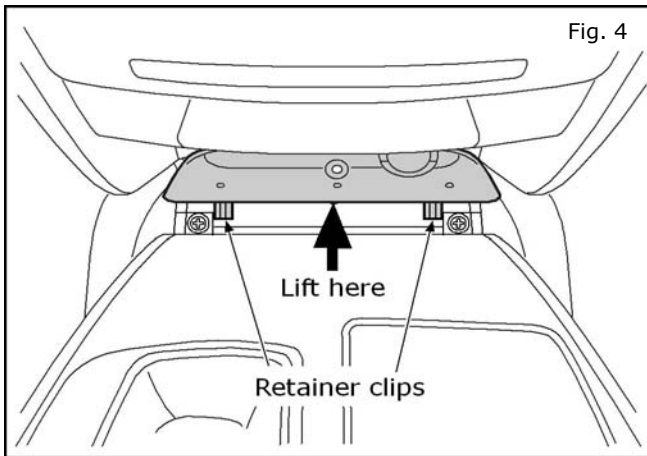
**NOTE: Be sure the front retainer clip stays with the panel.**



3. Remove one (1) phillips head screw from inner storage tray located in the center stack ahead of the shifter.

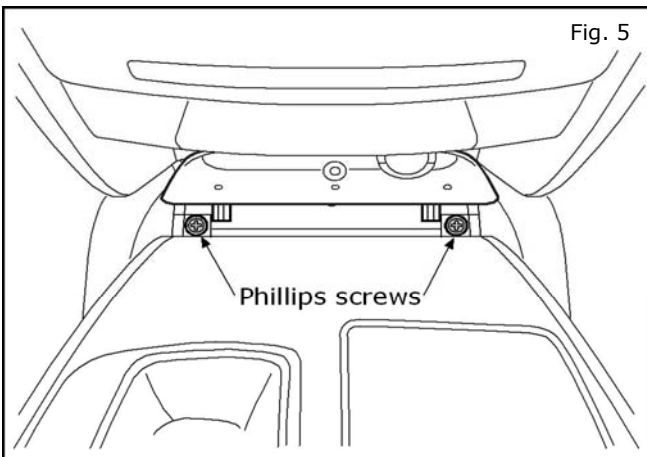
# INSTALLATION INSTRUCTIONS - Accent Lighting Kit

## 11. INTERIOR PREPARATION

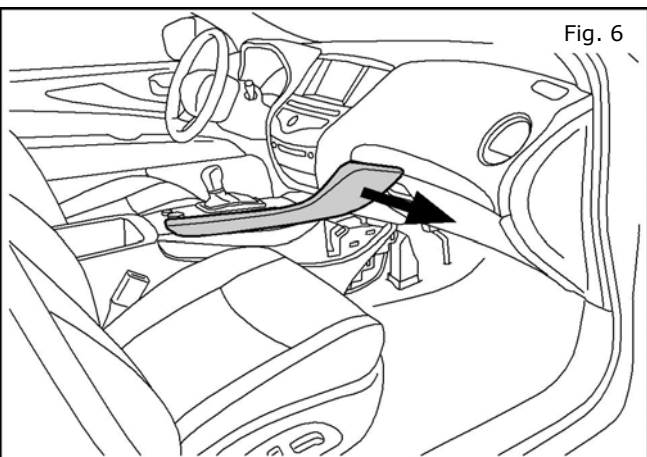


- Carefully pry up the storage tray from center stack. Use two pry sticks. Begin by lifting the center edge upward enough to access the retaining clips located on both sides.

**NOTE: Tray does not need to be removed completely.**



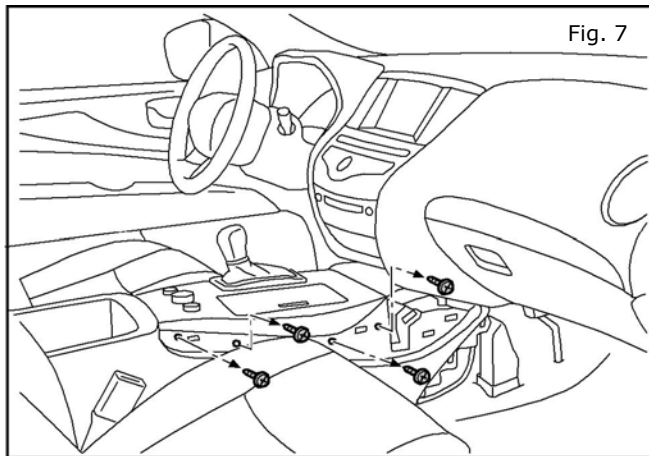
- With the tray lifted up, locate the two (2) phillips head screws on each side of the center stack. Loosen these screws enough to remove the two center console trim panels. **DO NOT fully remove the screws.**



- Carefully pry out center console trim panel.

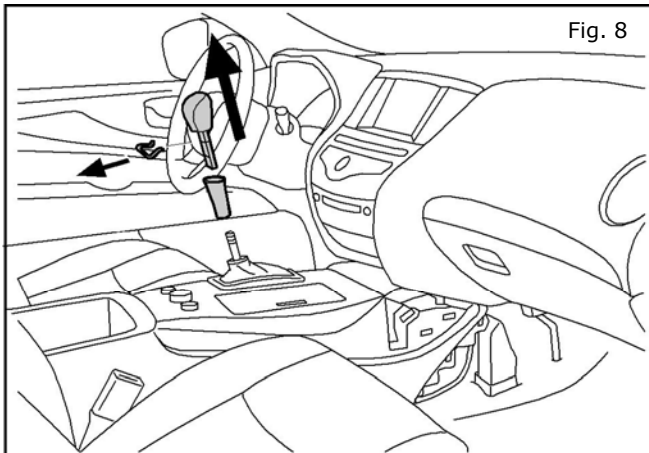
# INSTALLATION INSTRUCTIONS - Accent Lighting Kit

## 11. INTERIOR PREPARATION



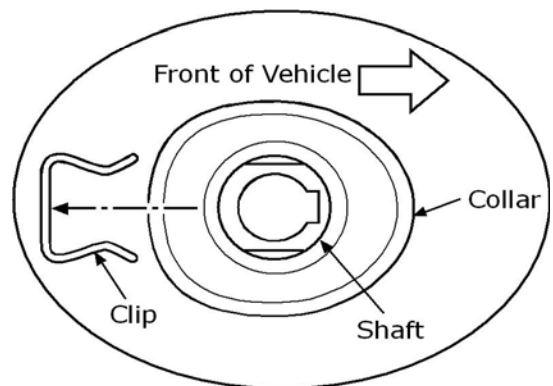
7. Remove four (4) phillips screws from the side of the shifter trim panel.

**NOTE:** Repeat steps 2 through 4 on the driver side.

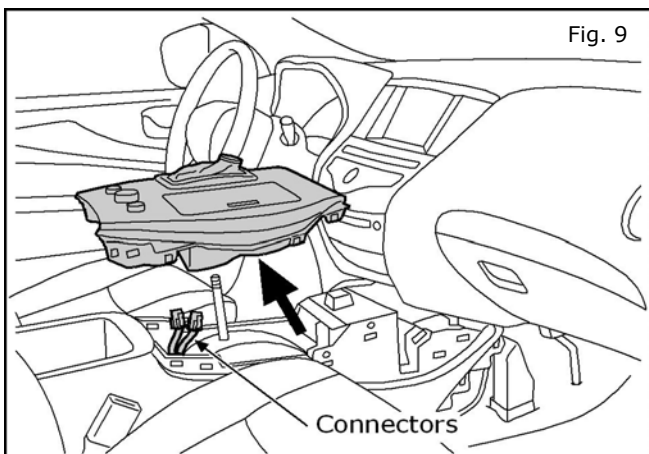


**NOTE:** Be sure shift lever has been moved to full back (L) position).

8. Use a pry tool to remove the bottom finisher from the shift knob and remove the retaining clip. Carefully remove shift knob and bottom finisher.

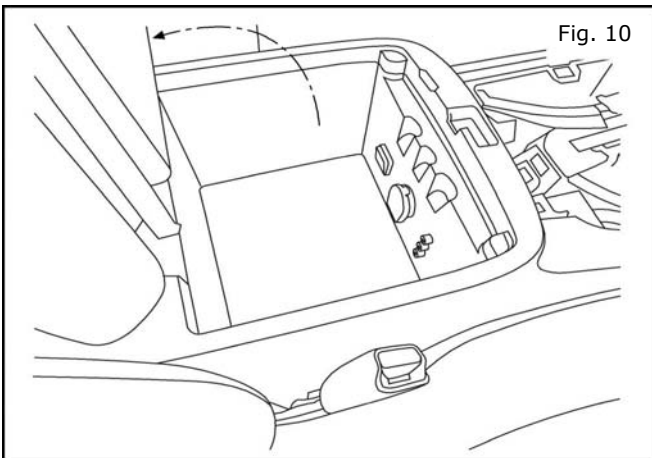


9. Carefully pry out shifter trim panel from the center stack. Disconnect all electrical connections and set trim panel aside.

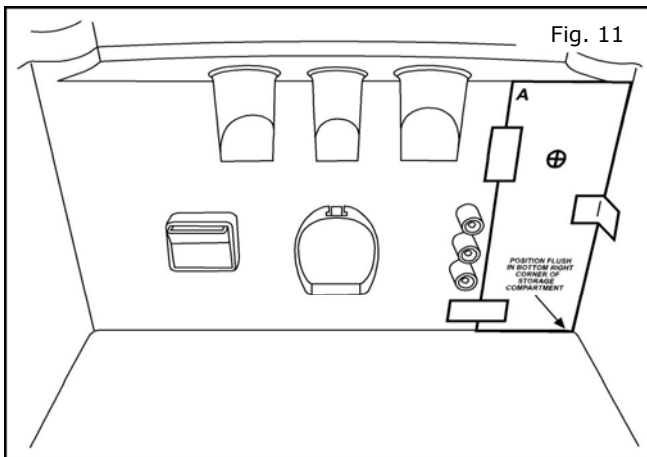


# INSTALLATION INSTRUCTIONS - Accent Lighting Kit

## 12. INSTALLATION



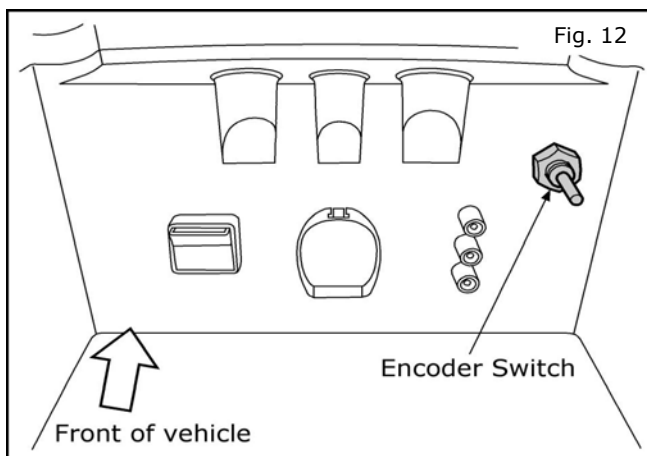
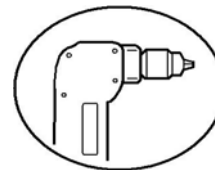
10. Open the center armrest storage compartment.



**NOTE: Print template at actual size.**

11. Apply template "A" to the armrest compartment as shown. The template should be positioned with the letter "A" in the upper left hand corner.

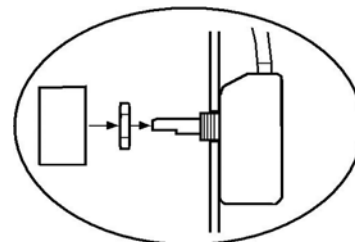
Using a 5/16" drill bit and a right angle drill motor, carefully drill a hole for the encoder.



12. **Install** the encoder so that the shaft is inside the front of the center console.

Use 11mm nut to secure the encoder.

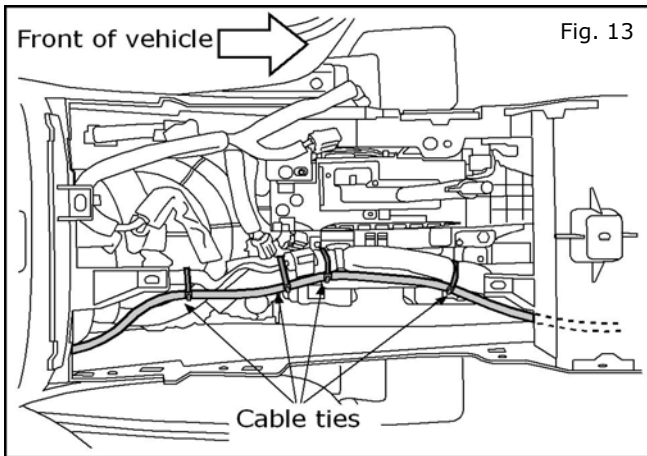
Install control knob over shaft of encoder.



**NOTE: Be careful NOT to over tighten the encoder nut.**

# INSTALLATION INSTRUCTIONS - Accent Lighting Kit

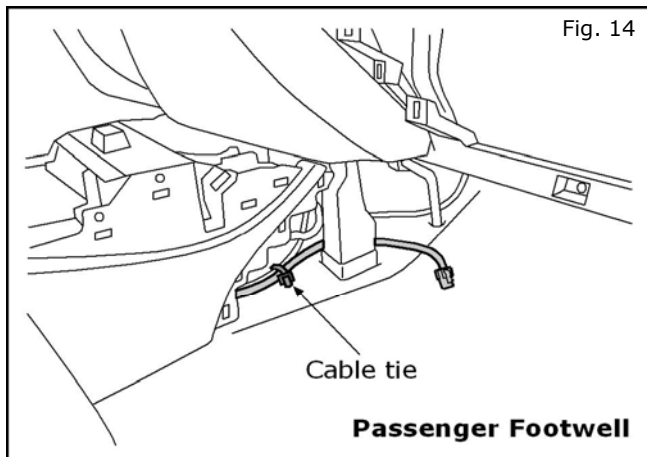
## 12. INSTALLATION



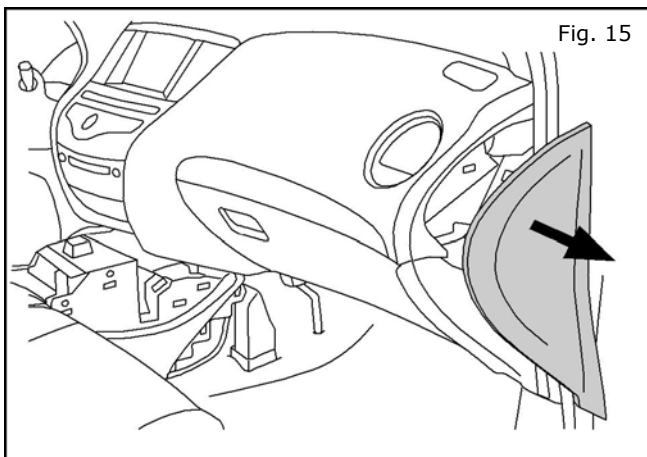
13. Route encoder wiring harness through the center console and up towards the center stack. Secure with four (4) 11" cable ties as shown.

Ideal cable tie spacing is 100mm to 120mm.

**NOTE: Trim all cable ties before you continue.**



14. Route encoder wiring harness up through the center stack and out to the passenger side footwell. Secure the harness with one (1) 4" cable tie as shown.

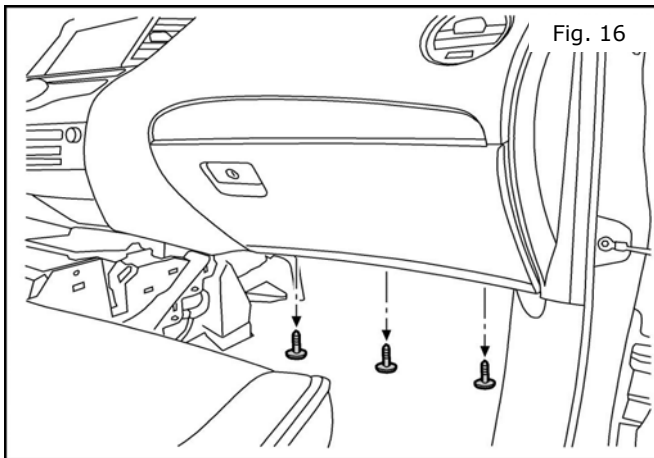


15. Carefully pry off the dash side mask by the passenger door.

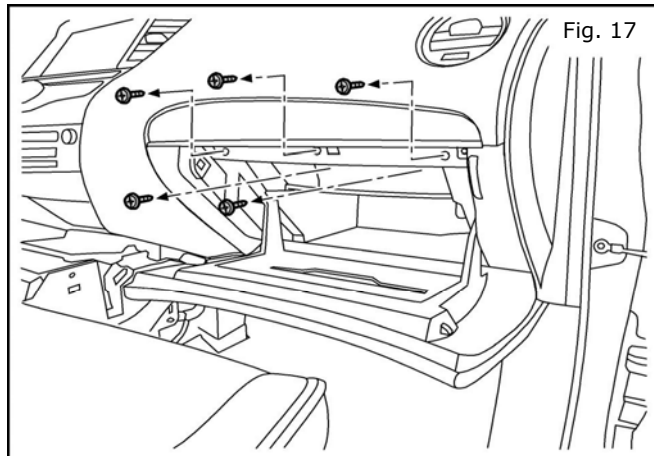


# INSTALLATION INSTRUCTIONS - Accent Lighting Kit

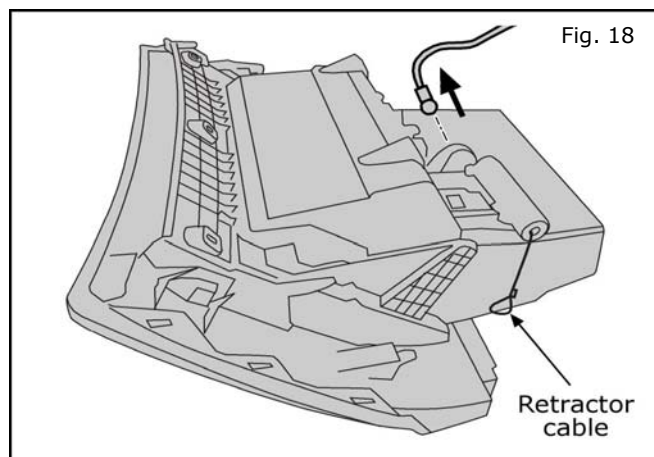
## 12. INSTALLATION



16. Remove three (3) Phillips head screws from the underside of the glovebox.



17. Open the glovebox door. Remove five (5) Phillips head screws from inside the glovebox compartment.

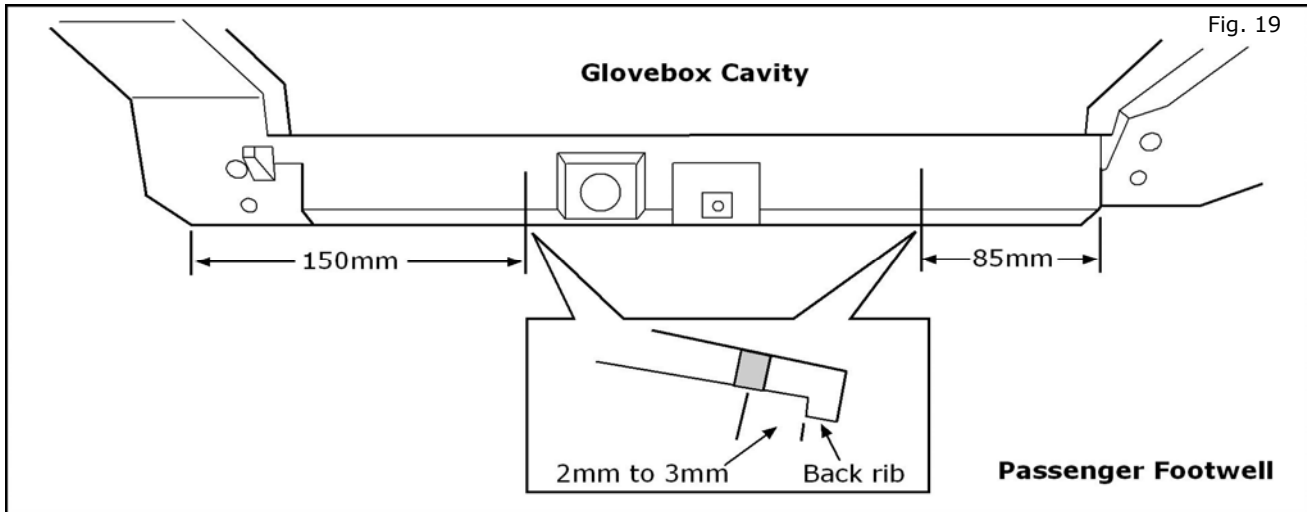


18. Carefully pull out the glovebox assembly. Remove the glovebox lamp and disconnect the retractor cable. Fully remove the glovebox assembly and set aside.

# INSTALLATION INSTRUCTIONS - Accent Lighting Kit

## 12. INSTALLATION

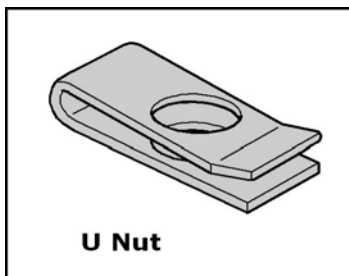
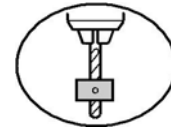
COMPLETELY READ STEPS 19-22 BEFORE INSTALLING BRACKETS.



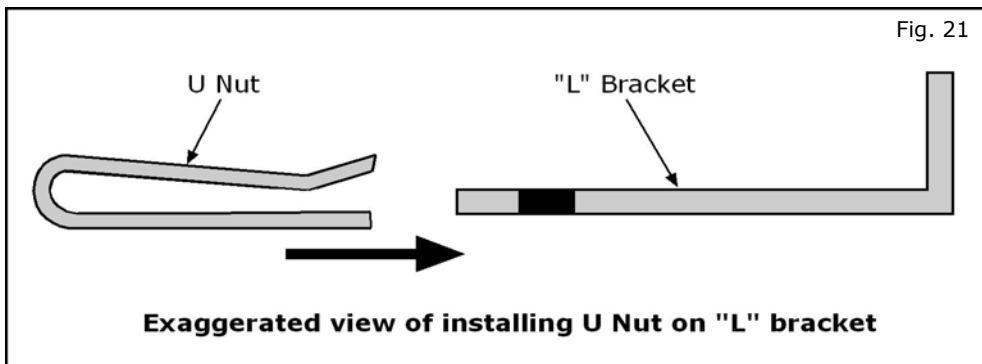
19 Prepare to mark drill locations at the glovebox opening. Measure and mark in from the back rib, 2mm to 3mm. Next, mark a line 85mm in from the right edge as shown. Mark a line 150mm in from the left edge of the glovebox opening as shown.

20. Carefully drill a 3/16 inch hole at both locations.

**NOTE: Do NOT drill past the bottom rib. Use a drill stop set to 4mm.**

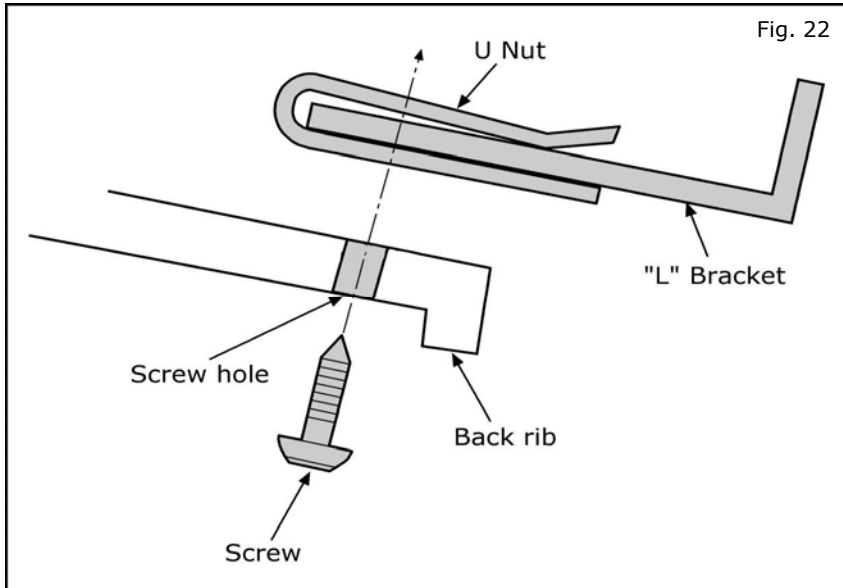


21. Attach two (2) U Nuts to the medium 54mm X 15mm "L" bracket at the long end.

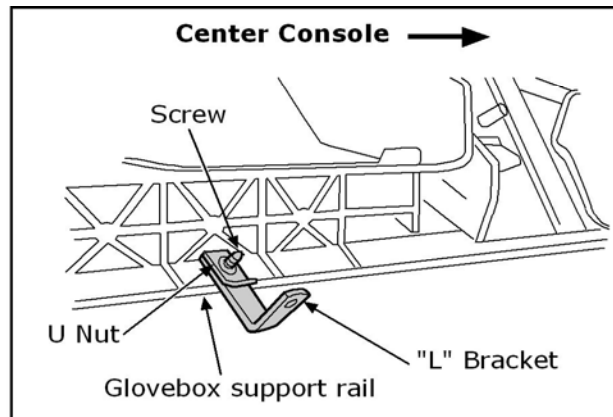
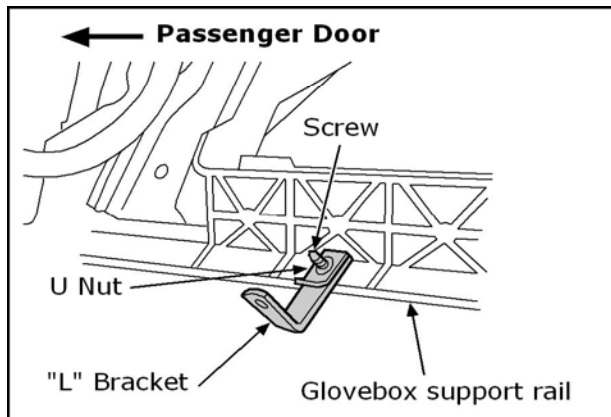


# INSTALLATION INSTRUCTIONS - Accent Lighting Kit

## 12. INSTALLATION



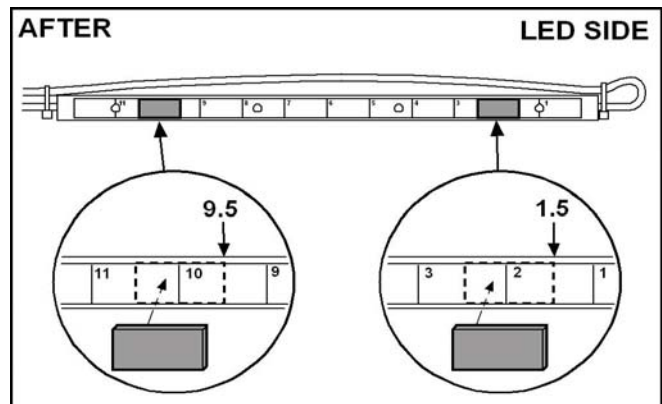
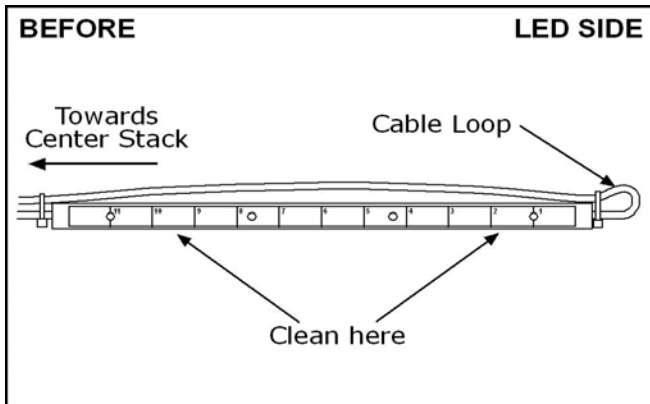
22. Securely attach the two (2) "L" brackets with U nuts to the glovebox support rail with two (2) #2 phillips screws.



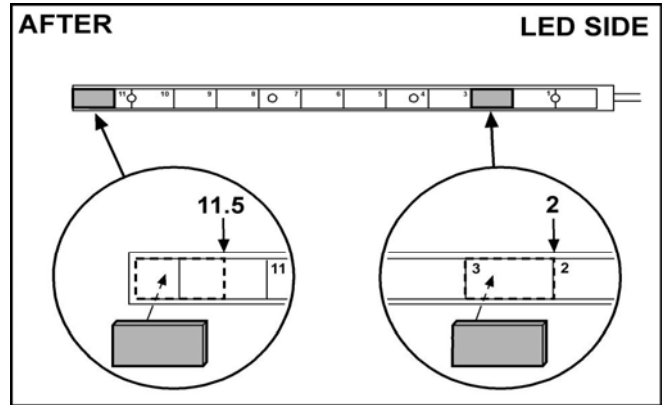
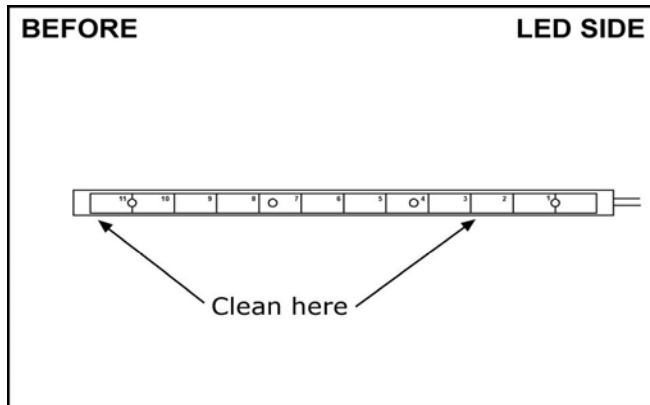
Both brackets shown from behind support rail, installed and ready for passenger side light stick.

# INSTALLATION INSTRUCTIONS - Accent Lighting Kit

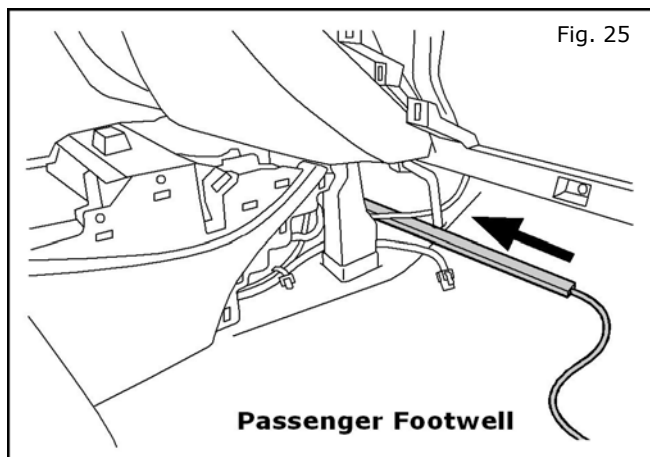
## 12. INSTALLATION



23. Prepare the **passenger** side light stick. Clean the LED areas with alcohol wipe. Fix a **12.5mm X 19mm X .7mm** piece of double sided foam tape at locations **1.5 to 2.5** and at location **9.5 to 10.5**.



24. Prepare the **driver** side light stick. Clean the LED areas with alcohol wipe. Fix a **12.5mm X 19mm X .7mm** piece of double sided foam tape at locations **2 to 3** AND at location **11.5 to the end of the stick**.

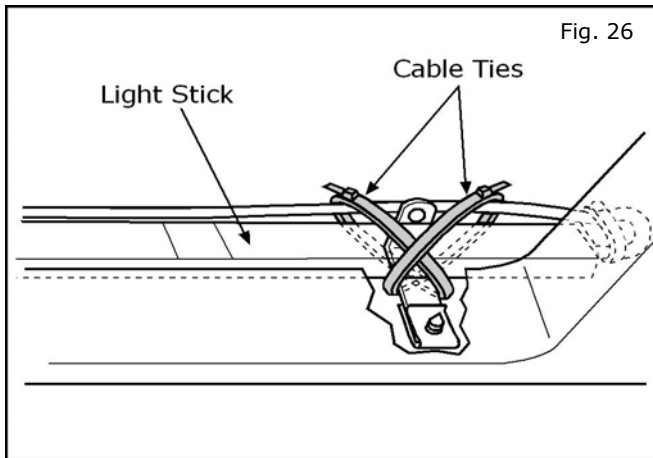


25. Push the driver side light stick through the center stack to the driver side footwell. Be sure to pass light stick under the shift cable.

**NOTE:** The driver side light stick should be left in the driver's footwell for later installation.

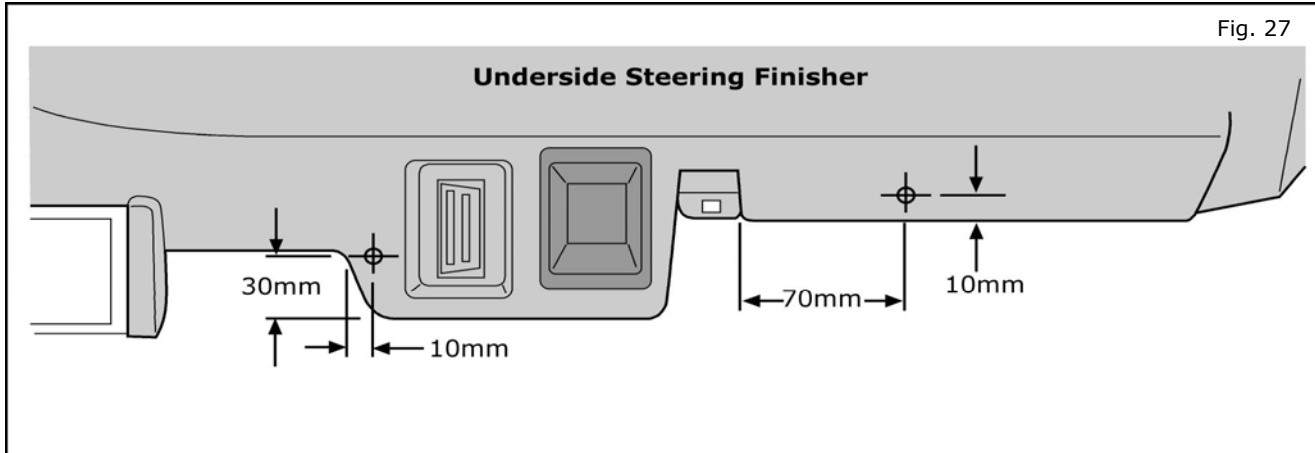
# INSTALLATION INSTRUCTIONS - Accent Lighting Kit

## 12. INSTALLATION



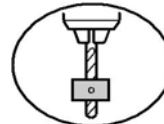
26. Pull the tape covers from the two (2) pieces of foam tape attached to the passenger light stick. Place the light stick over the "L" brackets with the LEDs pointing down such that the tape rests on the 'L' bracket. Secure each location with two (2) 4 inch cable ties. **Be sure to turn cable ties upward away from footwell.**

**NOTE: The cable should be on top of the "L" bracket as shown.**



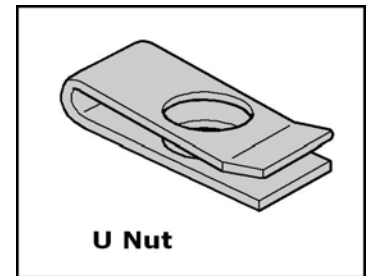
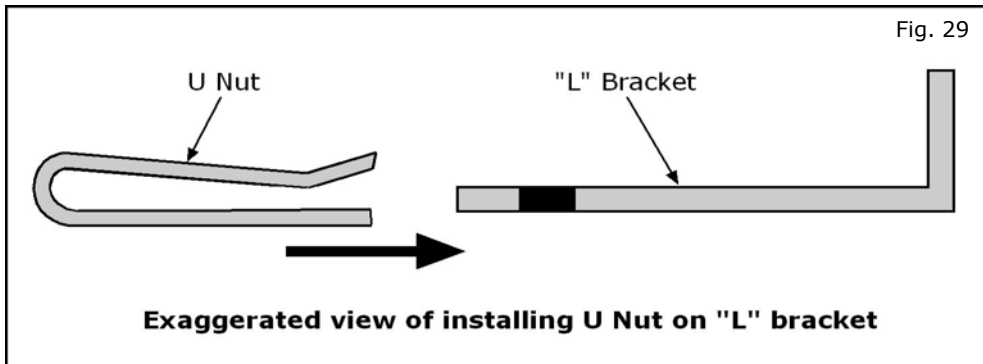
27. Prepare to mark drill locations for the driver side light stick. Measure and mark 30mm in from the bottom edge on the left. Mark a line 10mm in from the left edge as shown. Measure and mark 70mm from the corner on the right as shown. Mark a line 10mm in from the bottom edge as shown.

28. Carefully drill a 3/16 inch hole at both locations.

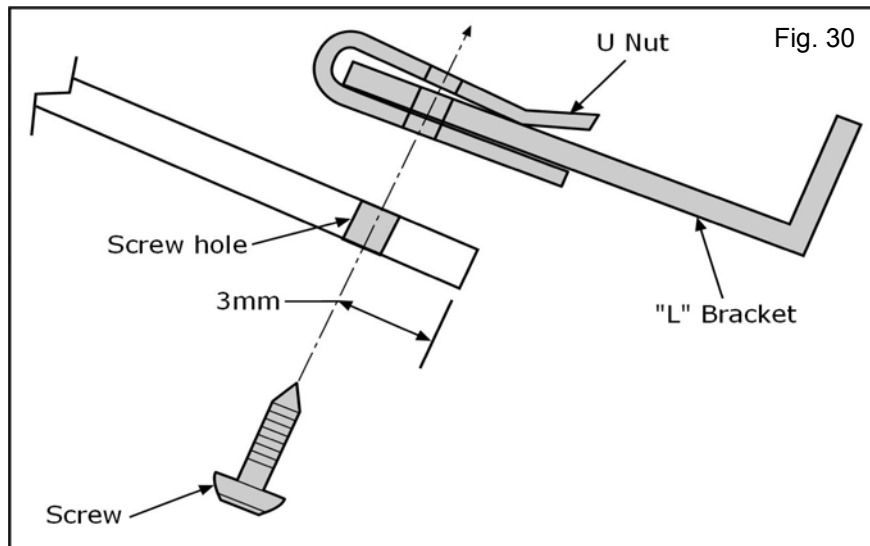


# INSTALLATION INSTRUCTIONS - Accent Lighting Kit

## 12. INSTALLATION

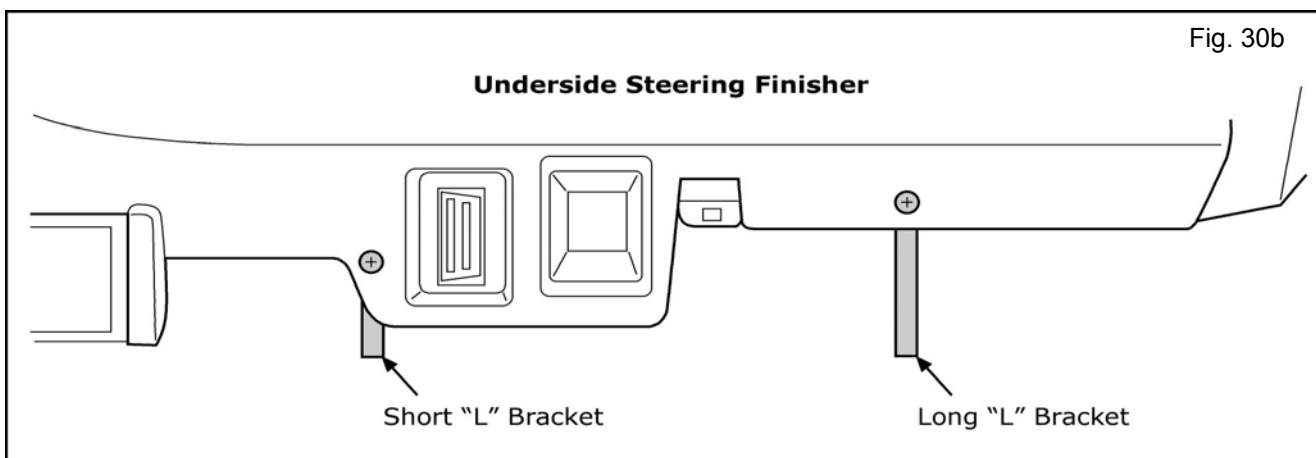


29. Attach one (1) U Nut to the small 30mm X 15mm "L" bracket at the long end. Attach one (1) U Nut to the large 80mm X 15mm "L" bracket at the long end.



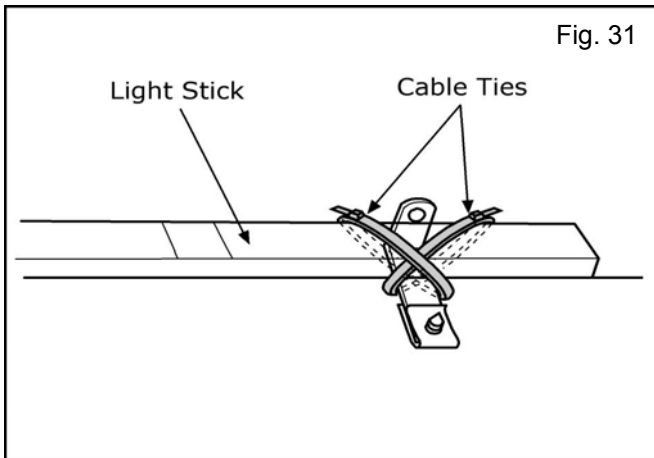
30. Attach the two (2) "L" brackets with U nuts to the inside of the steering finisher with two (2) phillips screws.

**NOTE: Be sure the shorter bracket is on the left side.**



# INSTALLATION INSTRUCTIONS - Accent Lighting Kit

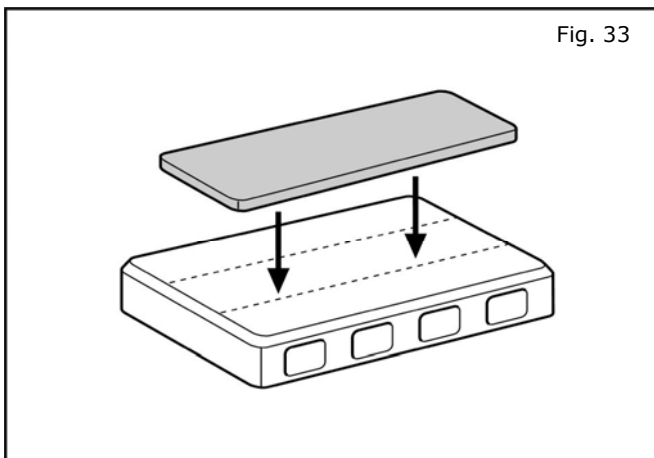
## 12. INSTALLATION



31. Pull the tape covers from the two (2) pieces of foam tape attached to the passenger light stick. Place the light stick over the "L" brackets with the LEDs pointing down such that the tape rests on the 'L' bracket. Secure each location with two (2) 4 inch cable ties. Be sure to turn cable ties upward away from footwell.

**NOTE: The cable should be on top of the "L" bracket as shown.**

32. Reconnect glovebox light and retractor cable. Reinstall the glovebox assembly (see Fig 15).

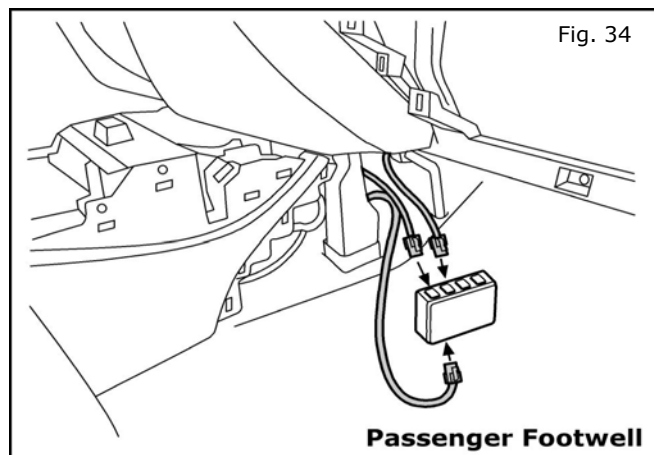


**NOTE: Attach one (1) 58mm x 82mm foam tape to the underside of the accessory control module, covering the screw in the center.**

33. Place one (1) piece of foam tape over the top of the accessory controller.

It should be on the opposite side of the sticky foam tape covering the screw.

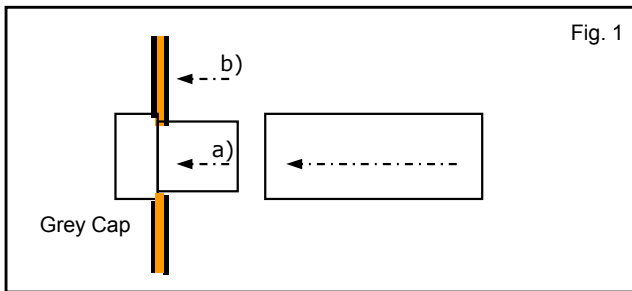
**NOTE: Do NOT pull cover off tape on controller at this time.**



34. Route accessory harnesses under the center stack. Plug the accessory harnesses into the control module and allow to sit under center stack.

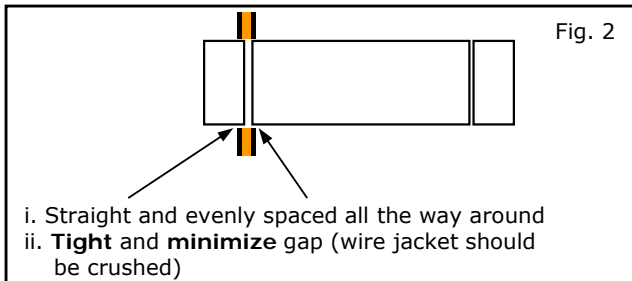
# INSTALLATION INSTRUCTIONS - Accent Lighting Kit

## 13. POSI TAP INSTRUCTIONS



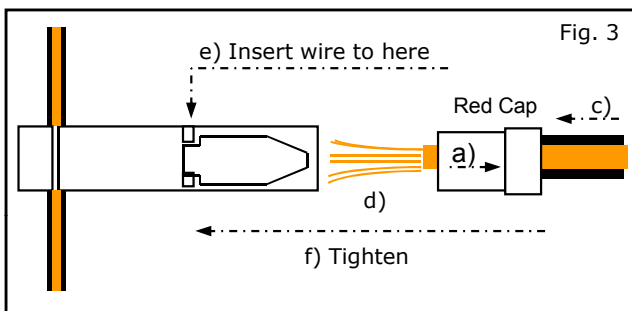
- 1) Tap vehicle wire.
  - a) Remove grey cap (slot side) from tap body.
  - b) Slide cap around vehicle wire.
  - c) Tighten the tap **TIGHT** with finger pressure.

**NOTE: Do not re-use the tap for subsequent re-installation. Figures are not to scale**



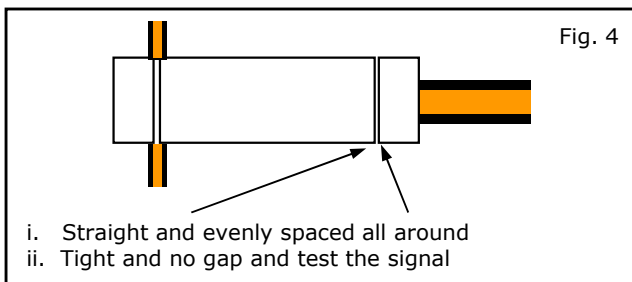
- 2) Inspect the tap to ensure correct installation.

**NOTE: Avoid putting pressure on the vehicle wire and tap for the remainder of the installation.**



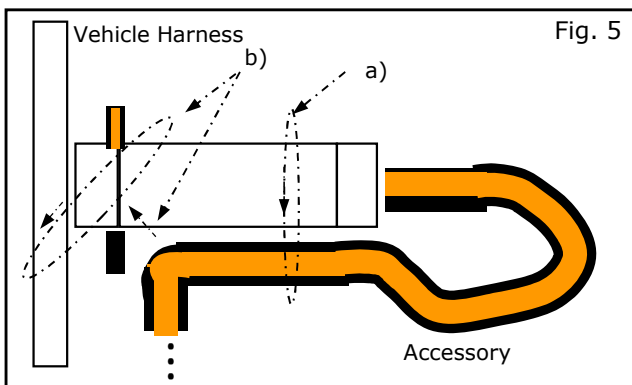
- 3) Inspect the tap to ensure correct installation.

- a) Remove red cap (non-pierce) side from tap.
- b) Remove the protective stub from the wire.
- c) Insert wire through the non-pierce side opening.
- d) Spread the individual strands into fan shape.
- e) Insert wire into the tap body and ensure that it is all the way in.
- f) Tighten the tap **TIGHT** with finger pressure.



- 4) Confirm the tapped accessory wire.

- a) Inspect the tap to ensure correct installation.
- b) Test the signal to ensure that it is working properly.



- 5) Secure the tap.

- a) Secure the tapped wire on the non-pierce side to the body of the tap with electrical tape ( $\geq 2$  revolutions).
- b) Secure the body to harness where vehicle wire is being tapped with electrical tape ( $\geq 2$  revolutions).

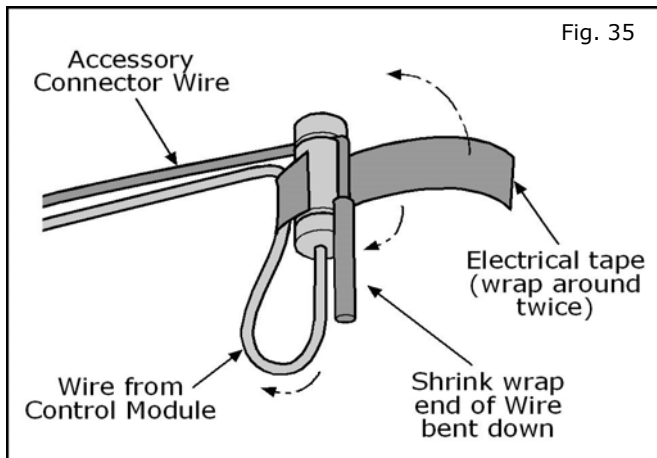


# INSTALLATION INSTRUCTIONS - Accent Lighting Kit

## 14. INSTALLATION

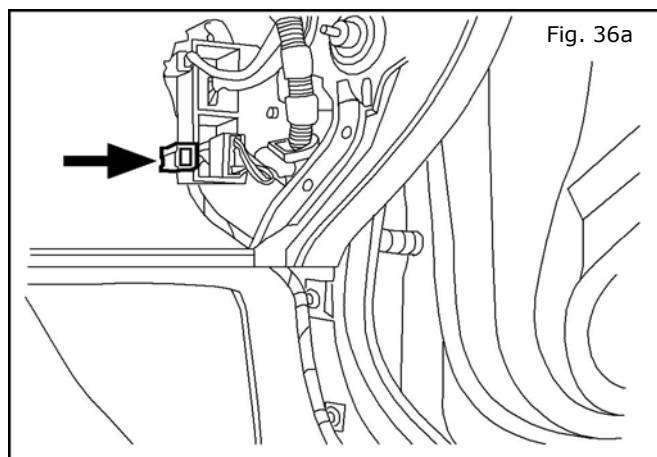
### CAUTION

- If a vehicle wire is being used by another accessory and a posi-Tap is present, tap the accessory wire NOT the vehicle wire.



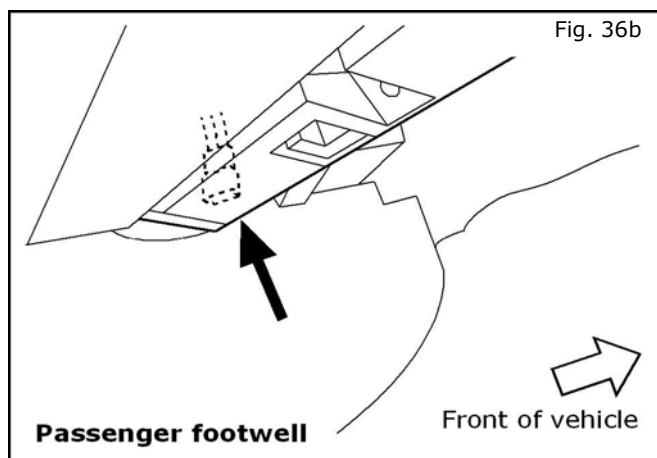
35. Follow this finishing procedure on all posi-taps. Leave a short length of wire extended past the posi-tap and bend down as shown. Use electrical tape to secure the extra wire against the posi-tap with at least two revolutions.

**Note:** Make sure that the end of the wire is completely covered by the tape.



36. Verify the location of the passenger side Accessory Connector plug. It will be located either behind the glovebox on the right side of the footwell (36a) or up behind the glovebox on the left side of the footwell near the center stack (36b).

**Note:** A previously installed accessory may be present. If so, carefully remove the accessory connector harness from the accessory connector plug before posi-tapping. It is recommended that all posi-tapping be completed before reattaching the accessory connector harness to the plug.

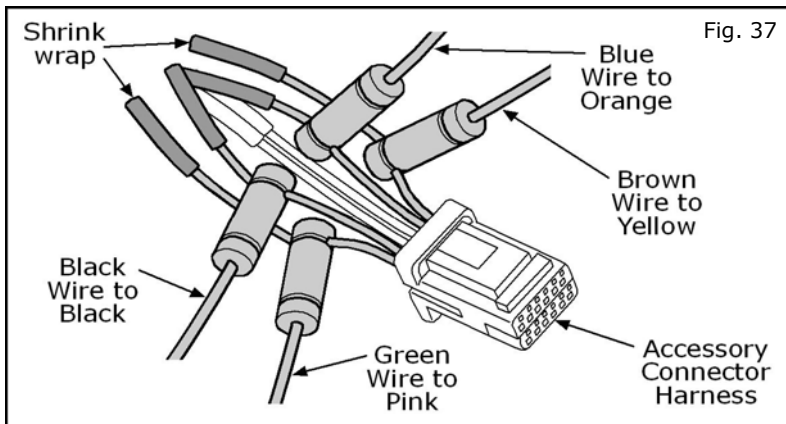


# INSTALLATION INSTRUCTIONS - Accent Lighting Kit

## 14. INSTALLATION

37. Using posi-taps, connect the accessory wires from the control module to vehicle Accessory Connector Harness as follows:

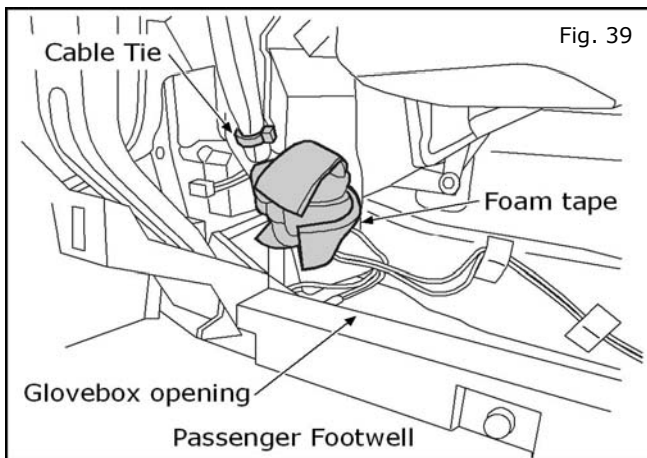
- Brown** from controller goes to the **Yellow** wire at the connector.
- Blue** from controller goes to the **Orange** wire at the connector.
- Green** from controller goes to the **Pink** wire at the connector.
- Black** from controller goes to the **Black** wire at the connector.



**Note:** Be sure **NOT** to posi-tap through the shrink wrap tubing.

**ACCESSORY HARNESS NOT INCLUDED IN KIT. REFERENCE PART NUMBER 999Q9 AY000.**

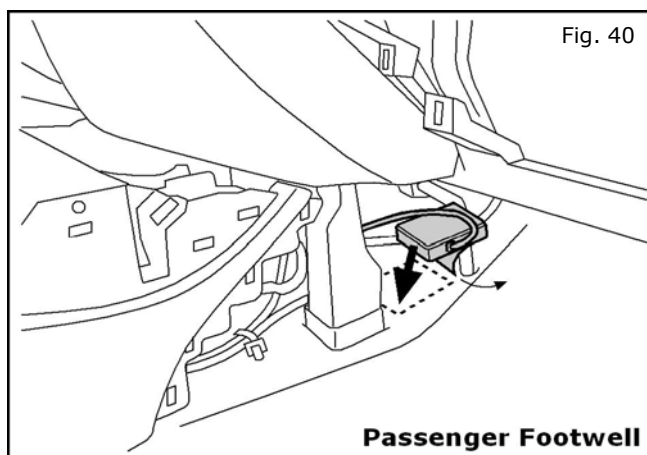
38. **Plug** the posi-tapped Accessory Connector Harness into the vehicle Accessory Connector Plug.



### IF ACCESSORY CONNECTOR IS LOCATED BEHIND GLOVEBOX NEAR CENTER STACK

39. Use cable ties to bundle and secure any excess wiring to the existing harness under the dash. Use foam tape to wrap and secure the Accessory Connector Harness to prevent any squeak and rattle.

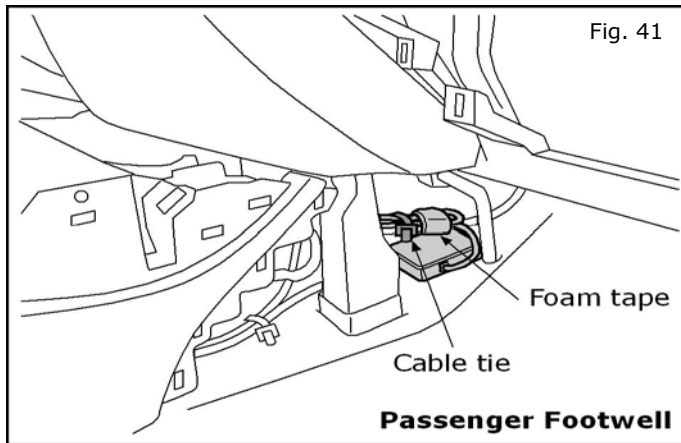
**Note:** If Accessory Connector is located on the right side of the footwell, as indicated in Fig. 36a, then route and secure the connectors with foam tape accordingly.



40. Peel the cover off the tape on the controller and securely place the controller on the carpet under the center stack.

# INSTALLATION INSTRUCTIONS - Accent Lighting Kit

## 14. INSTALLATION

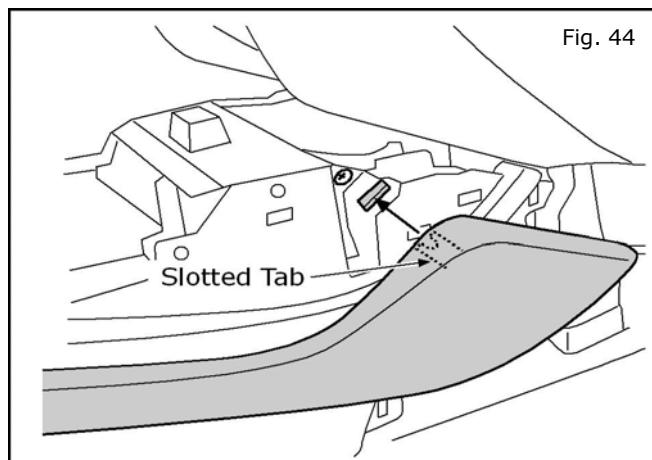


41. Bundle and dress the excess cables from the encoder and forward cavity lights and secure with cable ties as shown. Use foam tape as needed to hold the cables to the HVAC unit.

**Note: Be sure cables do not touch footwell panel, to prevent rattling.**

42. **Reinstall** the shifter trim panel. Be sure to reconnect all electrical connections (see Fig 6 and 4).

43. **Reinstall** the shift knob, retaining clip and bottom finisher (see Fig 5).



44. Reinstall the center console trim panels.

**NOTE: Be sure the slotted tabs are properly inserted to the phillips head screws.**

45. Reinstall driver footwell panel.

46. Reinstall passenger footwell panel.

**NOTE: Trim all cable ties. Check installation. Check and clear trouble codes (DTC).**

## INSTALLATION INSTRUCTIONS - Accent Lighting Kit

### 15. CHECK OUT

- (1) Turn the vehicle ignition switch to the "ACC" position, push the lighting control knob and confirm the Accent Lighting illuminates.
- (2) Turn the lighting control knob and confirm that the color intensity changes.
- (3) Leaving the accessory ON, turn the Interior Room Lamp to "DOOR" and ignition switch OFF. Open the door and confirm the Accent Lighting illuminates.
- (4) Leaving the accessory ON, and the ignition switch OFF, close and lock the door using CDL or Key Fob (if equipped). Confirm that the Accent Lighting turns off.
- (5) Test each switch to the left of the steering column in the steering finisher and confirm each one is operational.
- (6) Place the Accent Lighting Quick Reference card in the glovebox.
- (7) Check the trim for a proper, flush fit after re-installing the interior components.
- (8) Clean the interior of the vehicle.
- (9) Inspect the vehicle interior and exterior for damage.
- (10) Check and clear trouble codes (DTC).
- (11) If this vehicle will be returned to a dealer lot or showroom for an extended period of time, be sure the extended storage switch is placed in the "inventory" position. (Refer to section 9 - Vehicle Preparation)
- (12) If vehicle is NOT going into storage, reset the radio presets to the recorded settings.

**Note: When diagnosing electrical system problems, first disconnect the accessory connectors and note effect on system. Continue the investigation with the accessory connectors disconnected. Remember to reconnect the accessories when the investigation is complete.**

# INSTALLATION INSTRUCTIONS - Accent Lighting Kit

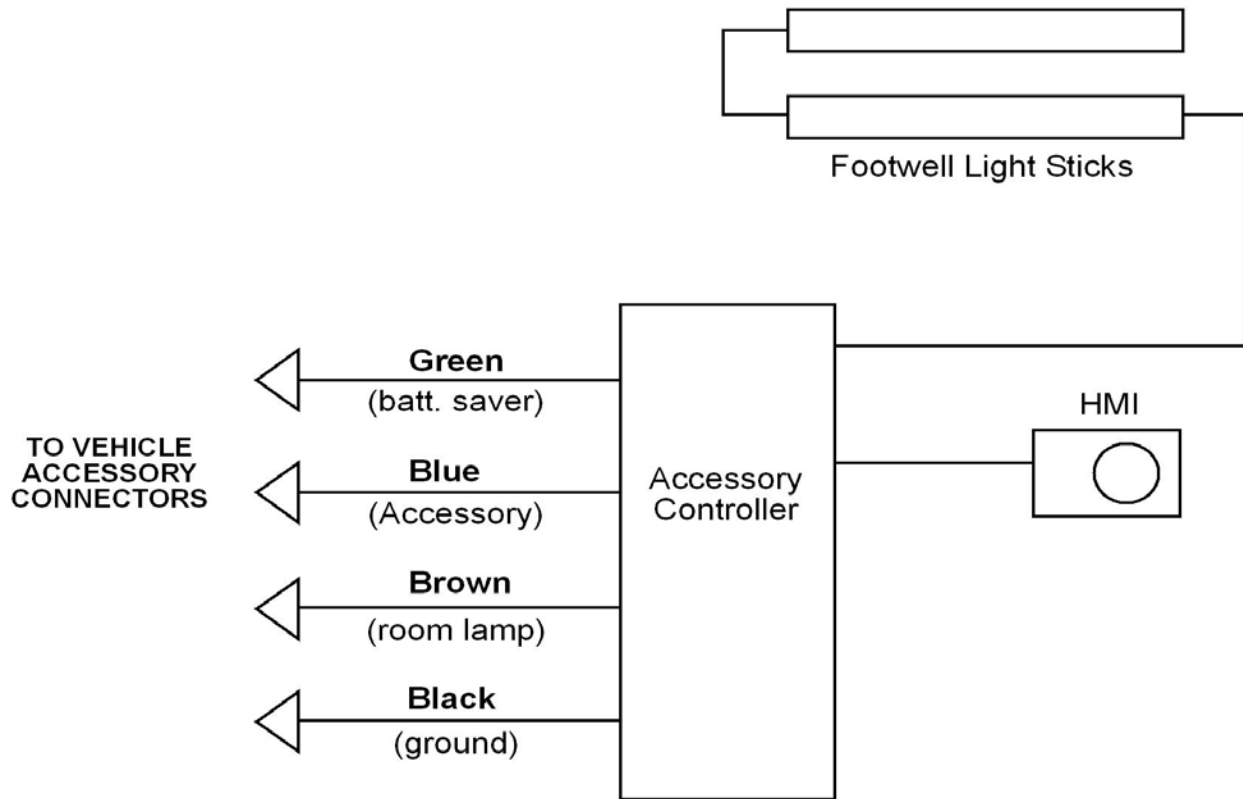
## 16. BILL OF MATERIALS

### Nissan Universal Accent Lighting Kit - 999F3 YY000

	Parts Contained in Bag Labelled 'Installation Kit'.	Qty	Part Number
1	Quick reference guide	1	999F3 AW080
2	Vehicle interface Harness	1	999F3 AW050
3	Cable ties 15" long - black	4	
4	Cable ties 11" long - black	2	
5	Cable ties 4" long - black	16	
6	Grey foam tape 80mm x 30mm x 5mm thick - adhesive one side	8	
7	'L' medium bracket 54mm long	3	
8	'L' large bracket 80mm long	1	
9	Posi-tap connectors part No EX130-RR Red/Grey	4	999M1 VT000
10	Control knob	1	999F3 AW002
11	Alcohol preparation wipe	4	
12	Module rubber rectangle 53mm x 74mm Adhesive both sides	1	
13	Pozi-drive self-tap screw 1/2" long (Black)	4	
14	U nut	4	
15	Double-sided adhesive fixing 12mm x 20mm (All on one backing)	4	
16	Double-sided adhesive fixing 12mm x 102mm (All on one backing)	4	
17	Encoder lock nut (Black)	1	
	<b>Parts Not in 'Installation Kit' Bag</b>		
18	Encoder and harness assembly	1	999F3 AW006
19	Foot well lights and harness assembly	1	999F3 AW001
20	Control module	1	999F3 AW060
21	Accessory Website Address Paper/Replacement template	1	999V2 AW000
22	Installation Instructions (Web)	N/A	999F3 YY000 II

# INSTALLATION INSTRUCTIONS - Accent Lighting Kit

## 17. MECHANIZATION



# INSTALLATION INSTRUCTIONS - Accent Lighting Kit

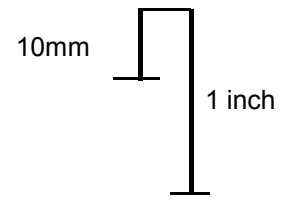
## 17. MECHANIZATION

(BACK BLANK PAGE)

# INSTALLATION INSTRUCTIONS - Accent Lighting Kit

## 18. TEMPLATE A

Templates must be printed to scale



### P42J ENCODER SWITCH TEMPLATE

